

# SA-ERTAIN

The features of the SA-ERTAIN operator model are adaptable to different installation requirements. It is designed for heavy traffic flow situations both for large facilities (supermarkets, hotels, airports, hospitals...) and medium and small facilities (offices, chemist's shops, restaurants, points of sale...) The main features of this model are silent opening / closure movements, dynamic stability with easy and quick installation.

## SAFETY AND RELIABILITY

The SA-ERTAIN system control panel, as it's big brother version the SA-GLOBAL System, is fitted with the latest electronic features for the control and safety of the unit. This system has been certified with the most demanding regulations and standards on safety.

## EASY INSTALLATION AND MAINTENANCE

The difference between the box profile and motorisation profile makes the door fitting easier, thereby allowing for minimal installation time.

The three wheel carriers are designed so they are interchangeable with each other, thereby reducing the total costs and ensuring the constant operation of the door.

## FEATURES AND ADVANTAGES

Modular and versatile (it has the same box profile as the SA-GLOBAL System).

**Adaptable to all types of profiles.**

Quick installation system for the box profile operator by means of a special nuts system.

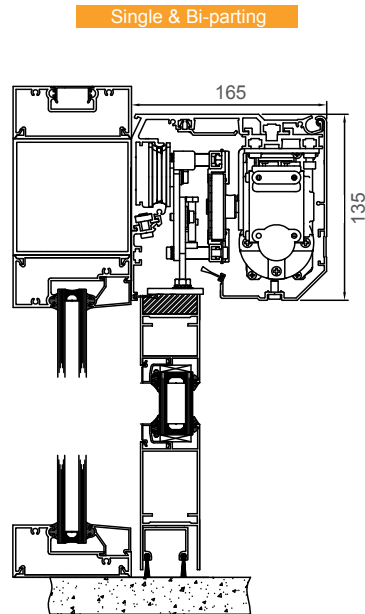
**Strong carrier fitted with three nylon wheels guided between safe tracks that prevent derailment.**

Motor force control system with automatic reversion for users' safety.

**Battery powered anti-panic opening system (in case of power supply failure).**

Simple mechanism that makes maintenance tasks easier.

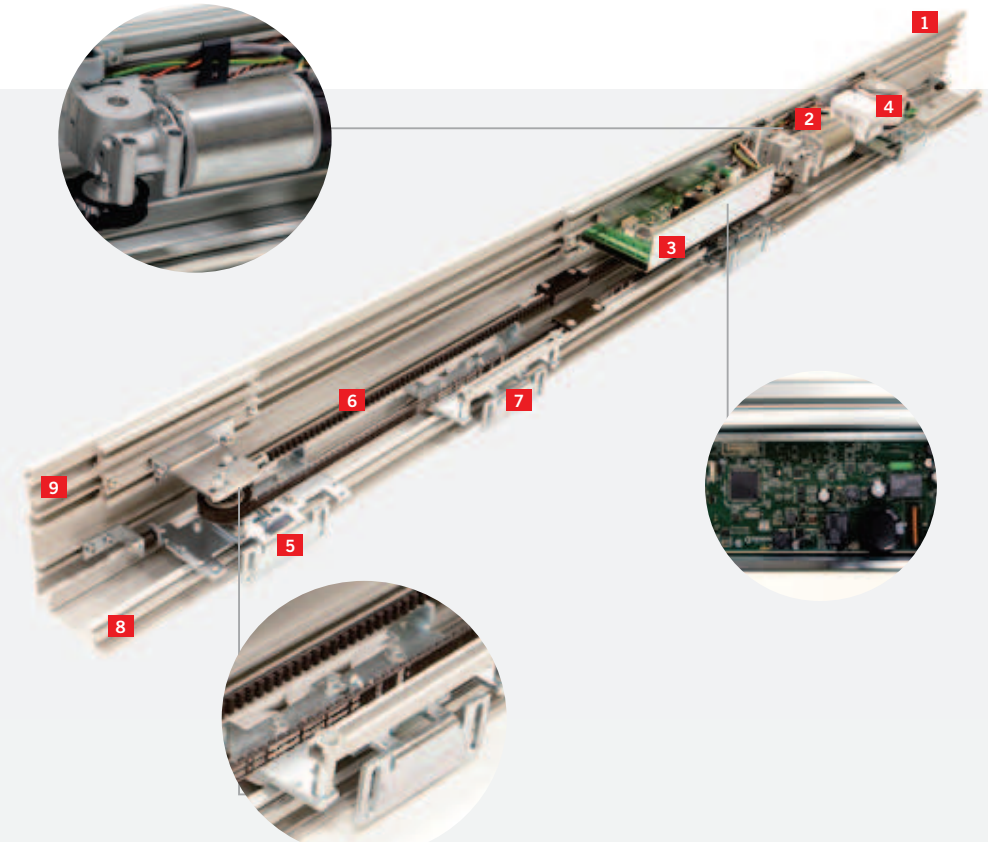
**Multiple connections for a centralised door control or programming**



## TECHNICAL SPECIFICATIONS

	E4 870	E4 870M
Free passage (1 leaf)	700 - 2000	
Free passage (2 leaves)	1000 - 2300	
Maximum weight per leaf (2 leaves)	100 + 100 Kg	
Maximum weight per leaf (1 leaf)	140 Kg	
Opening speed	0,2 m/s - 0,7 m/s	
Closing speed	0,2 m/s - 0,5 m/s	
Maximum thickness per leaf	65mm	
Power supply	220V (single phase)	110V (single phase)
Maximum consumption	100W	
Operator dimensions	135x165	

1. Motorisation profile
2. Gearmotor
3. Electric control board
4. Power supply and battery
5. Tensor subassembly
6. Endless toothed belt
7. Carriers
8. Roller track
9. Box profile



# SA-GLOBAL

The SA-GLOBAL system operator is the best choice for your most demanding projects, especially for heavy doors. It is a versatile product that can be adapted to any of the requirements of your installation. A flexible and standard system that allows to install easily and without mechanic changes, the same operator in single-leaf or two-leaf doors with different passage widths, or to select the opening direction in single-leaf doors operators.

All these features make it perfectly adaptable to different access configurations for all types of buildings (supermarkets, hotels, airports, and so on).

## SAFETY AND RELIABILITY

The SA-GLOBAL System control panel is fitted with the latest electronic features. It complies with the corresponding safety requirements and can be adapted to any emergency system. The SA-GLOBAL system includes control panels that have been purposely designed by means of a triple position, time and power consumption control. This system has been certified with the most demanding regulations and standards.

## POWER AND ROBUSTNESS

The SA-GLOBAL system operator is fitted with a reducer motor with the greater power that allows for heavy door leaves.

## FEATURES AND ADVANTAGES

Modular and versatile (it has the same box profile as the SA-ERTAIN System).

### Adaptable to all types of profiles

Reliable effect electric lock.

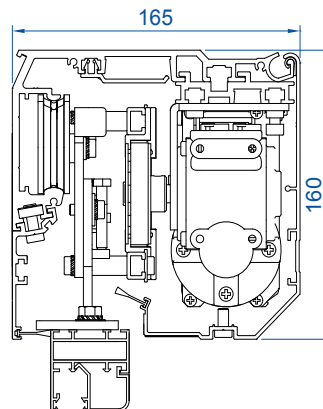
**Strong carrier fitted with three nylon wheels guided between safe tracks that prevent derailment.**

Auxiliary devices protected against overvoltage by electromagnetic switches.

**Battery powered anti-panic opening system (in case of power supply failure).**

Motor force control system with automatic reversion for users' safety.

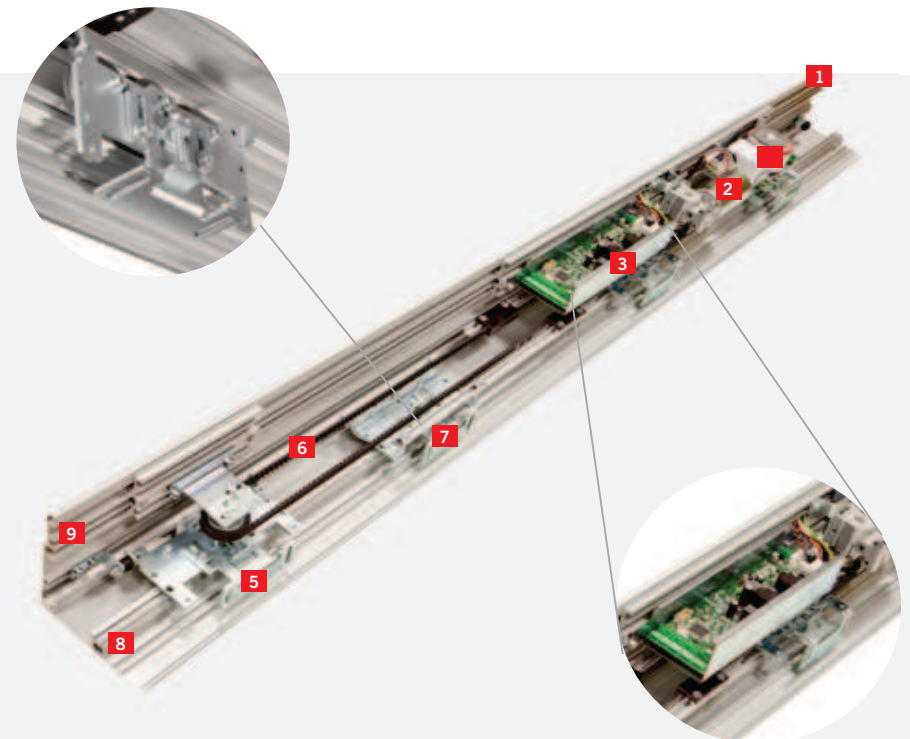
Single & Bi-parting



## TECHNICAL SPECIFICATIONS

	G4 870	G4 870M
Free passage (1 leaf)	700 - 2000	
Free passage (2 leaves)	1000 - 3000	
Minimum leaf width (1 leaf)	750	
Maximum weight per leaf (2 leaves)	140 + 140 Kg	
Maximum weight per leaf (1 leaf)	200 Kg	
Opening speed	0,2 m/s - 0,8 m/s	
Closing speed	0,2 m/s - 0,5 m/s	
Maximum closing force	150 N	
Power supply	220V (single phase)	110V (single phase)
Maximum power consumption	200W	
Maximum leaf thickness	65mm	
Operator dimensions	160x165	

1. Motorisation profile
2. Gearmotor
3. Electric control board
4. Power supply and battery
5. Tensor subassembly
6. Endless toothed belt
7. Carrier
8. Roller track
9. Box profile



# SA-TELESCOPIC

Suitable for both narrow and wide openings where a maximum opening is required. While keeping the modular concept, a basic feature of SEAMLESS systems, design and easy installation turns this model into a product that is totally different from other products available in the market. The versatility of this model allows a single operator, and with just a single change during the assembly process, to adapt the system to two-leaf or four-leaf doors and different passage widths, as well as to select the opening direction for two-leaf door systems.

## SAFETY AND RELIABILITY

The SA-GLOBAL System operator with a set of specific profiles necessary to obtain a telescopic system form the SA-TELESCOPIC operator. Thus, this model is fitted with the same technical characteristics, safety systems and certificates as the SA-GLOBAL operator. This system has been certified with the most demanding regulations and standards on safety.

## POWER: AN IMPORTANT FACTOR

In these type of doors, the opening speed is an important factor. The SA-TELESCOPIC operator is fitted with a powerful DC motor, which allows for an opening speed of up to 1 m/s.

## FEATURES AND ADVANTAGES

Modular system.

**System for quick installation of the operator in the box section using special nuts.**

Speed division system using a double pulley with a neoprene cog belt.

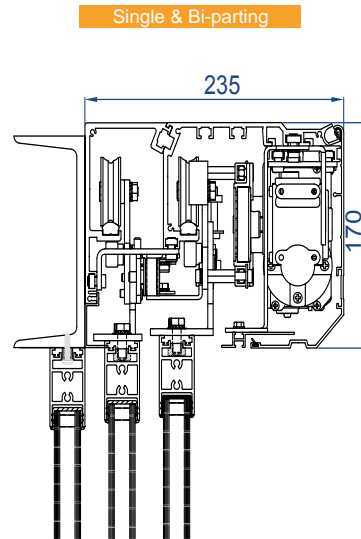
**Separate high wear-resistant aluminium alloy roller track fixed with a specialised track to absorb the vibration of carriage movements, thereby reducing noise.**

Auxiliary devices protected against overvoltage by electromagnetic switches.

**Battery powered anti-panic opening system (in case of power supply failure).**

Motor force control system with automatic reversion for users safety.

**A double door can be installed with a lock system.**



## TECHNICAL SPECIFICATIONS

	G4 870	G4 870M
Free passage (2 leaves)	700 - 2000	
Free passage (4 leaves)	1000 - 3000	
Maximum weight per leaf (2 leaves)	140 + 140 Kg	
Maximum weight per leaf (1 leaf)	200 Kg	
Opening speed	0,2 m/s - 0,8 m/s	
Closing speed	0,2 m/s - 0,5 m/s	
Maximum closing force	150 N	
Power supply	220V (single phase)	110V (single phase)
Power consumption	200W	
Operator dimensions	170x235	

1. Motorisation profile
2. Gearmotor
3. Electric control board
4. Power supply and battery
5. Tensor subassembly
6. Endless toothed belt
7. Internal carrier
8. External carrier
9. Interior box profile
10. External box profile
11. Roller track
12. Speed division system

